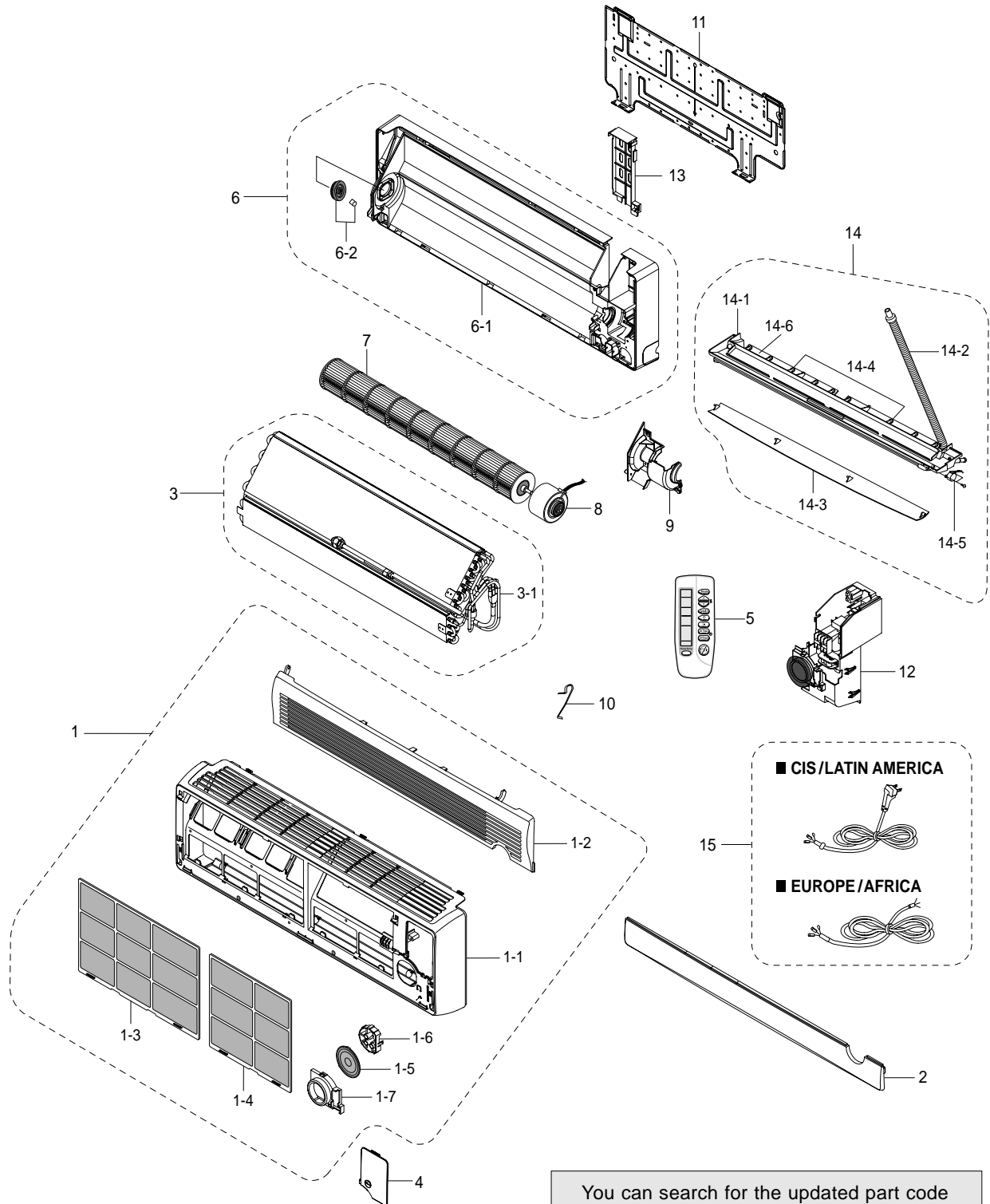


7. Exploded Views and Parts List

7-1 Indoor Unit



You can search for the updated part code number through the ITSELF.
 URL : <http://itself.sec.samsung.co.kr>

■ Parts List

No.	Code No.	Description	Specification	Q'TY					
				SH07ZS2 SH07ZS2A (CIS)	SH07ZS2 SH07ZS2A (EUROPE)	SH09ZS2 SH09ZS2A (CIS)	SH09ZS2 SH09ZS2A (EUROPE)	SH12ZS4 SH12ZS4A (CIS)	SH12ZS4 SH12ZS4A (EUROPE)
1	DB92-00595F	ASS'Y PANEL FRONT TOTAL	ASS'Y	-	-	-	-	1	1
	DB92-00582C	ASS'Y PANEL FRONT TOTAL	ASS'Y	1	1	1	1	-	-
1-1	DB92-00575A	ASS'Y PANEL FRONT SVC	ASS'Y	-	-	-	-	1	1
	DB92-00581A	ASS'Y PANEL FRONT SVC	ASS'Y	1	1	1	1	-	-
1-2	DB64-00984A	GRILLE UP	ABS	-	-	-	-	1	1
	DB64-00987A	GRILLE UP	ABS	1	1	1	1	-	-
1-3	DB63-00858B	FILTER-AIR LF	PP	-	-	-	-	1	1
	DB63-00856B	FILTER-AIR LF	PP	1	1	1	1	-	-
1-4	DB63-00859B	FILTER-AIR RH	PP	-	-	-	-	1	1
	DB63-00857B	FILTER-AIR RH	PP	1	1	1	1	-	-
1-5	DB64-00986A	WINDOW DISPLAY	PC	1	1	1	1	1	1
1-6	DB61-01630A	HOLDER PCB	HIPS	1	1	1	1	1	1
1-7	DB61-01629A	HOLDER DISPLAY	ABS	1	1	1	1	1	1
2	DB64-00985A	GRILLE LOW	ASS'Y	-	-	-	-	1	1
	DB64-00988A	GRILLE LOW	ASS'Y	1	1	1	1	-	-
3	DB96-02092J	ASS'Y EVAPORATOR TOTAL	ASS'Y	-	-	-	-	1	1
	DB96-02145G	ASS'Y EVAPORATOR TOTAL	ASS'Y	1	1	1	1	-	-
3-1	DB96-03123A	ASS'Y EVAPORATOR	ASS'Y	-	-	-	-	1	1
	DB96-03101A	ASS'Y EVAPORATOR	ASS'Y	1	1	1	1	-	-
4	DB63-00581A	COVER TERMINAL	HIPS	-	-	-	-	1	1
	DB63-00588A	COVER TERMINAL	HIPS	1	1	1	1	-	-
5	DB93-01717R	ASS'Y REMOCON	ASS'Y	1	1	1	1	1	1
6	DB94-00547A	ASS'Y BACK BODY	ASS'Y	-	-	-	-	1	1
	DB94-00508A	ASS'Y BACK BODY	ASS'Y	1	1	1	1	-	-
6-1	DB61-01779A	BACK BODY	HIPS	-	-	-	-	1	1
	DB61-01780A	BACK BODY	HIPS	1	1	1	1	-	-
6-2	DB94-00258A	ASS'Y BEARING	ASS'Y	1	1	1	1	1	1
7	DB94-00040R	ASS'Y CROSS FAN	ASS'Y	-	-	-	-	1	1
	DB94-00040F	ASS'Y CROSS FAN	ASS'Y	1	1	1	1	-	-
8	DB31-00152B	MOTOR-FAN IN	220/240V,50/60Hz	-	-	-	-	1	1
	DB31-00152A	MOTOR-FAN IN	220/240V,50/60Hz	1	1	1	1	-	-
9	DB61-01099A	HOLDER-MOTOR	PP	-	-	-	-	1	1
	DB61-01120A	HOLDER-MOTOR	PP	1	1	1	1	-	-
10	DB67-60030A	SPRING-SENSOR	STS301	1	1	1	1	1	1
11	DB70-00276A	PLATE-HANGER	SGCC-M	-	-	-	-	1	1
	DB70-00288A	PLATE-HANGER	SGCC-M	1	1	1	1	-	-
12	DB93-02539A	ASS'Y CONTROL IN	ASS'Y	-	-	-	-	1	1
	DB93-02524C	ASS'Y CONTROL IN	ASS'Y	1	-	1	-	-	-
	DB93-02524A	ASS'Y CONTROL IN	ASS'Y	-	1	-	1	-	-
13	DB90-00992A	HOLDER-PIPE	HIPS	-	-	-	-	1	1
	DB61-01121A	HOLDER-PIPE	HIPS	1	1	1	1	-	-
14	DB94-00468B	ASS'Y TRAY DRAIN	ASS'Y	-	-	-	-	1	1
	DB94-00465A	ASS'Y TRAY DRAIN	ASS'Y	1	1	1	1	-	-
14-1	DB63-00587A	TRAY DRAIN	HIPS	-	-	-	-	1	1
	DB63-00592A	TRAY DRAIN	HIPS	1	1	1	1	-	-
14-2	DB94-00062E	ASS'Y HOSE DRAIN	ASS'Y	1	1	1	1	1	1
14-3	DB61-01103A	BLADE-H	HIPS	-	-	-	-	1	1
	DB61-01125A	BLADE-H	HIPS	1	1	1	1	-	-
14-4	DB61-01104A	BLADE-V	PP	-	-	-	-	2	2
	DB61-01126A	BLADE-V	PP	2	2	2	2	-	-
14-5	DB95-20138A	ASS'Y STEPPING MOTOR	ASS'Y	1	1	1	1	1	1
14-6	DB63-00634A	GUARD-SAFETY WIRE	STS27	-	-	-	-	1	1
	DB63-00635A	GUARD-SAFETY WIRE	STS27	1	1	1	1	-	-
15	3903-000095	ASS'Y CONNECTOR POWER	ASS'Y	1	-	1	-	1	-
	DB93-01549B	ASS'Y CONNECTOR POWER	ASS'Y	-	1	-	1	-	1

Option
Option

■ Parts List

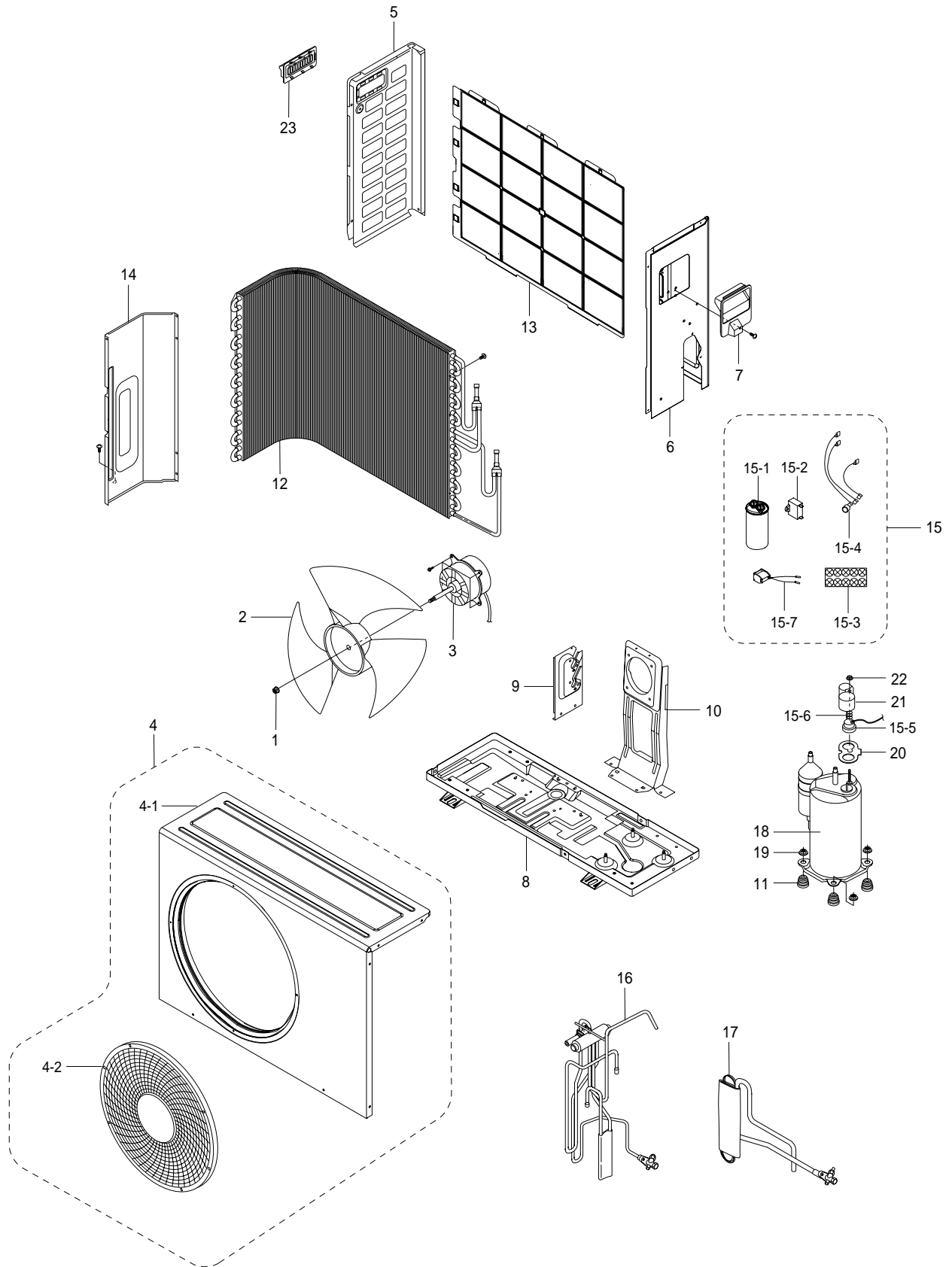
No.	Code No.	Description	Specification	Q'TY					
				AQ07S2GE (Latin America)	AQ07S2GE (Africa)	AQ09S2GE (Latin America)	AQ09S2GE (Africa)	AQ12S4GE (Latin America)	AQ12S4GE (Africa)
1	DB92-00595F	ASS'Y PANEL FRONT TOTAL	ASS'Y	-	-	-	-	1	1
	DB92-00582C	ASS'Y PANEL FRONT TOTAL	ASS'Y	1	1	1	1	-	-
1-1	DB92-00575A	ASS'Y PANEL FRONT SVC	ASS'Y	-	-	-	-	1	1
	DB92-00581A	ASS'Y PANEL FRONT SVC	ASS'Y	1	1	1	1	-	-
1-2	DB64-00984A	GRILLE UP	ABS	-	-	-	-	1	1
	DB64-00987A	GRILLE UP	ABS	1	1	1	1	-	-
1-3	DB63-00858B	FILTER-AIR LF	PP	-	-	-	-	1	1
	DB63-00856B	FILTER-AIR LF	PP	1	1	1	1	-	-
1-4	DB63-00859B	FILTER-AIR RH	PP	-	-	-	-	1	1
	DB63-00857B	FILTER-AIR RH	PP	1	1	1	1	-	-
1-5	DB64-00986A	WINDOW DISPLAY	PC	1	1	1	1	1	1
1-6	DB61-01630A	HOLDER PCB	HIPS	1	1	1	1	1	1
1-7	DB61-01629A	HOLDER DISPLAY	ABS	1	1	1	1	1	1
2	DB64-00985A	GRILLE LOW	HIPS	-	-	-	-	-	1
	DB64-00985B	GRILLE LOW	HIPS	-	-	-	-	1	-
	DB64-00988A	GRILLE LOW	HIPS	-	1	-	1	-	-
	DB64-00988C	GRILLE LOW	HIPS	1	-	1	-	-	-
3	DB96-02092J	ASS'Y EVAPORATOR TOTAL	ASS'Y	-	-	-	-	1	1
	DB96-02145G	ASS'Y EVAPORATOR TOTAL	ASS'Y	1	1	1	1	-	-
3-1	DB96-03123A	ASS'Y EVAPORATOR	ASS'Y	-	-	-	-	1	1
	DB96-03101A	ASS'Y EVAPORATOR	ASS'Y	1	1	1	1	-	-
4	DB63-00581A	COVER TERMINAL	HIPS	-	1	-	-	1	1
	DB63-00588A	COVER TERMINAL	HIPS	1	-	1	1	-	-
5	DB93-01717R	ASS'Y REMOCON	ASS'Y	1	1	1	1	1	1
6	DB94-00547A	ASS'Y BACK BODY	ASS'Y	-	-	-	-	1	1
	DB94-00508A	ASS'Y BACK BODY	ASS'Y	1	1	1	1	-	-
6-1	DB61-01779A	BACK BODY	HIPS	-	1	-	-	1	1
	DB61-01780A	BACK BODY	HIPS	1	-	1	1	-	-
6-2	DB94-00258A	ASS'Y BEARING	ASS'Y	1	1	1	1	1	1
7	DB94-00040R	ASS'Y CROSS FAN	ASS'Y	-	-	-	-	1	1
	DB94-00040F	ASS'Y CROSS FAN	ASS'Y	1	1	1	1	-	-
8	DB31-00152B	MOTOR-FAN IN	220/240V,50/60Hz	-	-	-	-	1	1
	DB31-00152A	MOTOR-FAN IN	220/240V,50/60Hz	1	1	1	1	-	-
9	DB61-01099A	HOLDER-MOTOR	PP	-	1	-	-	1	1
	DB61-01120A	HOLDER-MOTOR	PP	1	-	1	1	-	-
10	DB67-60030A	SPRING-SENSOR	STS301	1	1	1	1	1	1
11	DB70-00276A	PLATE-HANGER	SGCC-M	-	-	-	-	1	1
	DB70-00288A	PLATE-HANGER	SGCC-M	1	-	1	1	-	-
12	DB93-02539A	ASS'Y CONTROL IN	ASS'Y	-	1	-	-	1	1
	DB93-02524C	ASS'Y CONTROL IN	ASS'Y	1	-	1	-	-	-
	DB93-02524A	ASS'Y CONTROL IN	ASS'Y	-	1	-	1	-	-
13	DB90-00992A	HOLDER-PIPE	HIPS	-	-	-	-	1	1
	DB61-01121A	HOLDER-PIPE	HIPS	1	1	1	1	-	-
14	DB94-00468D	ASS'Y TRAY DRAIN	ASS'Y	-	-	-	-	1	1
	DB94-00465D	ASS'Y TRAY DRAIN	ASS'Y	1	1	1	1	-	-
14-1	DB63-00587A	TRAY DRAIN	HIPS	-	1	-	-	1	1
	DB63-00592A	TRAY DRAIN	HIPS	1	-	1	1	-	-
14-2	DB94-00062E	ASS'Y HOSE DRAIN	ASS'Y	1	1	1	1	1	1
14-3	DB61-01103A	BLADE-H	HIPS	-	-	-	-	1	1
	DB61-01125A	BLADE-H	HIPS	1	1	1	1	-	-
14-4	DB61-01104A	BLADE-V	PP	-	2	-	-	2	2
	DB61-01126A	BLADE-V	PP	2	-	2	2	-	-
14-5	DB95-20138A	ASS'Y STEPPING MOTOR	ASS'Y	1	1	1	1	1	1
14-6	DB63-00634A	GUARD-SAFETY WIRE	STS27	-	-	-	-	-	-
	DB63-00635A	GUARD-SAFETY WIRE	STS27	-	-	-	-	-	-
15	3903-000095	ASS'Y CONNECTOR POWER	ASS'Y	1	-	1	-	1	-
	DB93-01549B	ASS'Y CONNECTOR POWER	ASS'Y	-	1	-	1	-	1

Option
Option

■ Parts List

No.	Code No.	Description	Specification	Q'TY	
				AQT12S4GB	AQT12S4GE
1	DB92-00595A	ASS'Y PANEL FRONT TOTAL	ASS'Y	1	
1-1	DB92-00575A	ASS'Y PANEL FRONT SVC	ASS'Y	1	
1-2	DB64-00984A	GRILLE UP	ABS	1	
1-3	DB63-00858A	FILTER-AIR LF	PP	1	
1-4	DB63-00859A	FILTER-AIR RH	PP	1	
1-5	DB64-00986A	WINDOW DISPLAY	PC	1	
1-6	DB61-01630A	HOLDER PCB	HIPS	1	
1-7	DB61-01629A	HOLDER DISPLAY	ABS	1	
2	DB64-00985A	GRILLE LOW	ASS'Y	1	
3	DB96-02092J	ASS'Y EVAPORATOR TOTAL	ASS'Y	1	
3-1	DB96-03123A	ASS'Y EVAPORATOR	ASS'Y	1	
4	DB63-00581A	COVER TERMINAL	HIPS	1	
5	DB93-01717G	ASS'Y REMOCON	ASS'Y	1	
6	DB94-00547A	ASS'Y BACK BODY	ASS'Y	1	
6-1	DB61-01779A	BACK BODY	HIPS	1	
6-2	DB94-00258A	ASS'Y BEARING	ASS'Y	1	
7	DB94-00040R	ASS'Y CROSS FAN	ASS'Y	1	
8	DB31-00152B	MOTOR-FAN IN	220/240V,50/60Hz	1	
9	DB61-01099A	HOLDER-MOTOR	PP	1	
10	DB67-60030A	SPRING-SENSOR	STS301	1	
11	DB70-00276A	PLATE-HANGER	SGCC-M	1	
12	DB93-02539A	ASS'Y CONTROL IN	ASS'Y	1	
13	DB90-00992A	HOLDER-PIPE	HIPS	1	
14	DB94-00468D	ASS'Y TRAY DRAIN	ASS'Y	1	
14-1	DB63-00587A	TRAY DRAIN	HIPS	1	
14-2	DB94-00062E	ASS'Y HOSE DRAIN	ASS'Y	1	
14-3	DB61-01103A	BLADE-H	HIPS	1	
14-4	DB61-01104A	BLADE-V	PP	2	
14-5	DB95-20138A	ASS'Y STEPPING MOTOR	ASS'Y	1	
14-6	DB63-00634A	GUARD-SAFETY WIRE	STS27	-	Option
	DB63-00635A	GUARD-SAFETY WIRE	STS27	-	Option
15	DB93-01549D	ASS'Y CONNECTOR POWER	ASS'Y	1	

7-2 Outdoor Unit



■ Parts List

No.	Code No.	Description	Specification	Q'TY			
				SH07ZS2X (CIS, EUROPE)	SH07ZS2AX UQ07S2GE (CIS, EUROPE)	SH09ZS2X (CIS, EUROPE)	SH09ZS2AX UQ09S2GE (CIS, EUROPE)
1	DB60-30020A	NUT FLANGE	2C,M6,SM20C,NTR	1	1	1	1
2	DB67-00036A	FAN PROPELLER	AS+G/F 20%, ø375	1	1	1	1
3	DB31-00034A	MOTOR FAN OUT	220/240V,50/60Hz	1	1	1	1
4	DB90-01406A	ASSY CABINET FRONT	ASS'Y	1	1	1	1
4-1	DB64-00999A	CABINET FRONT	SECC-P	1	1	1	1
4-2	DB63-00862A	GUARD FAN	PP	1	1	1	1
5	DB64-01001A	CABINET SIDE LF	SECC-P	1	1	1	1
6	DB64-01002A	CABINET SIDE RH	SECC-P	1	1	1	1
7	DB63-10443C	COVER E PARTS ASS'Y	ASS'Y	1	1	1	1
8	DB90-01273A	ASSY BASE OUTDOOR	ASS'Y	1	-	1	-
	DB90-01273B	ASSY BASE OUTDOOR	ASS'Y	-	1	-	1
9	DB61-01623A	BRACKET VALVE	GALVANIZED STEEL	1	1	1	1
10	DB61-01649A	BRACKET MOTOR	GALVANIZED STEEL	1	1	1	1
11	DB63-00930A	GROMMET-ISOLATOR	NR	3	-	3	-
	DB73-00070A	GROMMET-ISOLATOR	NR	-	3	-	3
12	DB96-03423A	ASSY COND	ASS'Y	1	-	-	-
	DB96-03576A	ASSY COND	ASS'Y	-	1	-	1
	DB96-03457A	ASSY COND	ASS'Y	-	-	1	-
13	DB64-00997A	SCREEN COND	PP	1	1	1	1
14	DB94-00497A	ASSY PARTITION	ASS'Y	-	-	1	1
	DB94-00497C	ASSY PARTITION	ASS'Y	1	-	-	-
	DB94-00497D	ASSY PARTITION	ASS'Y	-	1	-	-
15	DB93-02556L	ASSY CONTROL OUT	ASS'Y	-	-	1	-
	DB93-02556D	ASSY CONTROL OUT	ASS'Y	1	-	-	-
	DB93-02739A	ASSY CONTROL OUT	ASS'Y	-	1	-	-
	DB93-02739B	ASSY CONTROL OUT	ASS'Y	-	-	-	1
15-1	2501-001236	CAPACITOR-COMP	30uF/450VAC	-	1	1	-
	2501-001234	CAPACITOR-COMP	20uF/450VAC	1	-	-	-
	2501-001238	CAPACITOR-COMP	40uF/450VAC	-	-	-	1
15-2	2301-001375	CAPACITOR-MOTOR	1.5uF/450VAC	1	1	1	1
15-3	DB65-40049E	TERMINAL BLOCK	4P	1	1	1	1
15-4	DB93-01547B	ASSY LEAD WIRE	ASS'Y	1	-	1	-
	DB93-01547D	ASSY LEAD WIRE	ASS'Y	-	1	-	1
15-5	DB35-00026D	OLP	MRA98776	-	-	1	-
	DB35-00026C	OLP	MRA99137-9201	1	-	-	-
	DB35-00028J	OLP	RBC12144-12500	-	1	-	-
	DB35-00028K	OLP	RBC12110-12500	-	-	-	1
15-6	DB67-60020A	OLP SPRING	STS304	1	1	1	1
15-7	DB33-00028C	ASSY SOLENOID	ASS'Y	1	-	1	-
	DB33-00007A	ASSY SOLENOID	ASS'Y	-	1	-	1
16	DB96-03167A	ASSY TUBE 4WAY VALVE	ASS'Y	-	-	1	-
	DB96-03421A	ASSY TUBE 4WAY VALVE	ASS'Y	1	-	-	-
	DB96-03502A	ASSY TUBE 4WAY VALVE	ASS'Y	-	1	-	1
17	DB96-03169A	ASSY TUBE CAPILLARY	ASS'Y	-	-	1	-
	DB96-03570A	ASSY TUBE CAPILLARY	ASS'Y	-	1	-	-
	DB96-03170A	ASSY TUBE CAPILLARY	ASS'Y	1	-	-	-
	DB96-03570B	ASSY TUBE CAPILLARY	ASS'Y	-	-	-	1
18	DB95-00478A	COMPRESSOR	2P17S235B1A	-	-	1	-
	DB95-00476A	COMPRESSOR	2R13S235A1A-CS	1	-	-	-
	DB95-00396A	COMPRESSOR	44B080JX1EL	-	1	-	-
	DB95-00378A	COMPRESSOR	44B102JX1EL	-	-	-	1
19	DB60-30028A	NUT WASHER	HEX 2C M8 ZPC	3	3	3	3
20	DB63-00929A	GASKET	EPT	1	-	1	-
	DB63-20002A	GASKET	EPDM	-	1	-	1
21	DB63-00928A	COVER TERMINAL	PET	1	-	-	-
	DB63-00927A	COVER TERMINAL	PBT	-	-	1	-
	DB63-10165D	COVER TERMINAL	PBT	-	1	-	1
22	DB81-00484A	NUT FLANGE	STEEL, M5	-	-	1	-
	DB63-00968A	NUT FLANGE	STEEL, M5	1	-	-	-
	DB60-30018A	NUT FLANGE	STEEL, M5	-	1	-	1
23	DB64-01003A	HANDEL CABINET LF	PP	1	1	1	1

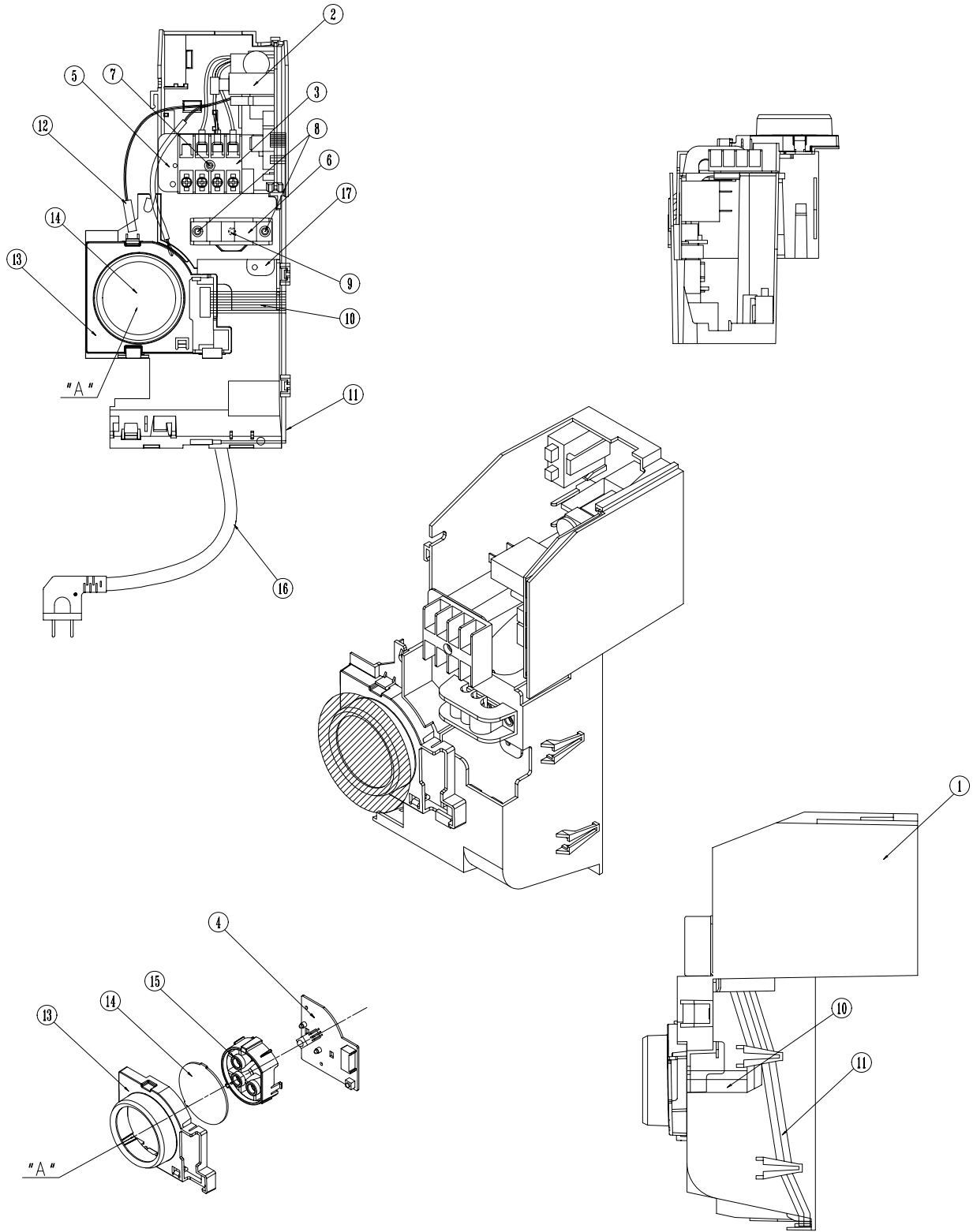
■ Parts List

No.	Code No.	Description	Specification	Q'TY			
				SH12ZS4X (CIS, EUROPE)	SH12ZS4AX UQ12S4GE (CIS, EUROPE)	UQT12S4GB	UQT12S4GE
1	DB60-30020A	NUT FLANGE	2C,M6,SM20C,NTR	1	1	1	1
2	DB67-50063A	FAN PROPELLER	AS+G/F 20%, ø405	1	1	1	1
3	DB31-10058C	MOTOR FAN OUT	220/240V,50/60Hz	1	1	1	1
4	DB90-01405B	ASS'Y CABINET FRONT	ASS'Y	1	1	1	1
4-1	DB64-00978A	CABINET FRONT	SECC-P	1	1	1	1
4-2	DB63-00863A	GUARD FAN	PP	1	1	1	1
5	DB64-00979A	CABINET SIDE LF	SECC-P	1	1	1	1
6	DB64-00980A	CABINET SIDE RH	SECC-P	1	1	1	1
7	DB63-10443C	COVER E PARTS ASS'Y	ASS'Y	1	1	1	1
8	DB90-01404A	ASS'Y BASE OUTDOOR	ASS'Y	1	1	1	1
9	DB61-01648A	BRACKET VALVE	GALVANIZED STEEL	1	1	1	1
10	DB61-01649A	BRACKET MOTOR	GALVANIZED STEEL	1	1	1	1
11	DB63-00987A	GROMMET-ISOLATOR	NR	3	-	-	-
	DB73-00067A	GROMMET-ISOLATOR	NR	-	3	3	3
12	DB96-02977A	ASS'Y COND	ASS'Y	1	1	-	-
	DB96-03435A	ASS'Y COND	ASS'Y	-	-	1	1
13	DB64-00998A	SCREEN COND	PP	1	1	1	1
14	DB94-00520B	ASS'Y PARTITION	ASS'Y	1	1	1	1
15	DB93-02556J	ASS'Y CONTROL OUT	ASS'Y	-	-	1	-
	DB93-02556H	ASS'Y CONTROL OUT	ASS'Y	-	-	-	1
	DB93-02556F	ASS'Y CONTROL OUT	ASS'Y	1	-	-	-
	DB93-02739C	ASS'Y CONTROL OUT	ASS'Y	-	1	-	-
15-1	2501-001237	CAPACITOR-COMP	35uF/450VAC	1	-	1	1
	2501-001236	CAPACITOR-COMP	30uF/450VAC	-	1	-	-
15-2	2301-001375	CAPACITOR-MOTOR	1.5uF/450VAC	1	1	1	1
15-3	DB65-40049E	TERMINAL BLOCK	4P	1	1	1	1
15-4	DB93-01547B	ASS'Y LEAD WIRE	ASS'Y	1	-	-	-
	DB93-01547E	ASS'Y LEAD WIRE	ASS'Y	-	-	1	1
	DB93-01547D	ASS'Y LEAD WIRE	ASS'Y	-	1	-	-
15-5	-	OLP	INTERNAL	1	-	-	-
	DB35-00028G	OLP	RBC12107-12500	-	-	1	-
	DB35-00028F	OLP	RBC12050-12500	-	-	-	1
	DB35-00028D	OLP	RBC12074-12500	-	1	-	-
15-6	DB67-60020A	OLP SPRING	STS304	1	1	1	1
15-7	DB33-00028C	ASS'Y SOLENOID	ASS'Y	1	-	1	1
	DB33-00007A	ASS'Y SOLENOID	ASS'Y	-	1	-	-
16	DB96-03304A	ASS'Y TUBE 4WAY VALVE	ASS'Y	1	-	-	-
	DB96-03427A	ASS'Y TUBE 4WAY VALVE	ASS'Y	-	-	1	1
	DB96-03501A	ASS'Y TUBE 4WAY VALVE	ASS'Y	-	1	-	-
17	DB96-03322A	ASS'Y TUBE CAPILLARY	ASS'Y	1	-	-	-
	DB96-03322B	ASS'Y TUBE CAPILLARY	ASS'Y	-	-	1	1
	DB96-03322A	ASS'Y TUBE CAPILLARY	ASS'Y	-	1	-	-
18	DB95-00479A	COMPRESSOR	2K21T235AUA	1	-	-	-
	DB95-00515A	COMPRESSOR	48D135IT1EL	-	-	1	-
	DB95-00540A	COMPRESSOR	48D124JT1EL	-	-	-	1
	DB95-00368A	COMPRESSOR	48D129JU1EL	-	1	-	-
19	DB60-30028A	NUT WASHER	HEX 2C M8 ZPC	3	3	3	3
20	DB63-00986A	GASKET	SILICON	1	-	-	-
	DB63-20002A	GASKET	EPDM	-	1	1	1
21	DB63-00985A	COVER TERMINAL	PBT	1	-	-	-
	DB63-10165D	COVER TERMINAL	PBT	-	1	1	1
22	DB81-00484A	NUT FLANGE	STEEL, M5	1	-	-	-
	DB60-30018A	NUT FLANGE	STEEL, M5	-	1	1	1
23	DB64-01003A	HANDEL CABINET LF	PP	1	1	1	1

MEMO

7-3 Ass'y Control In (Indoor Unit)

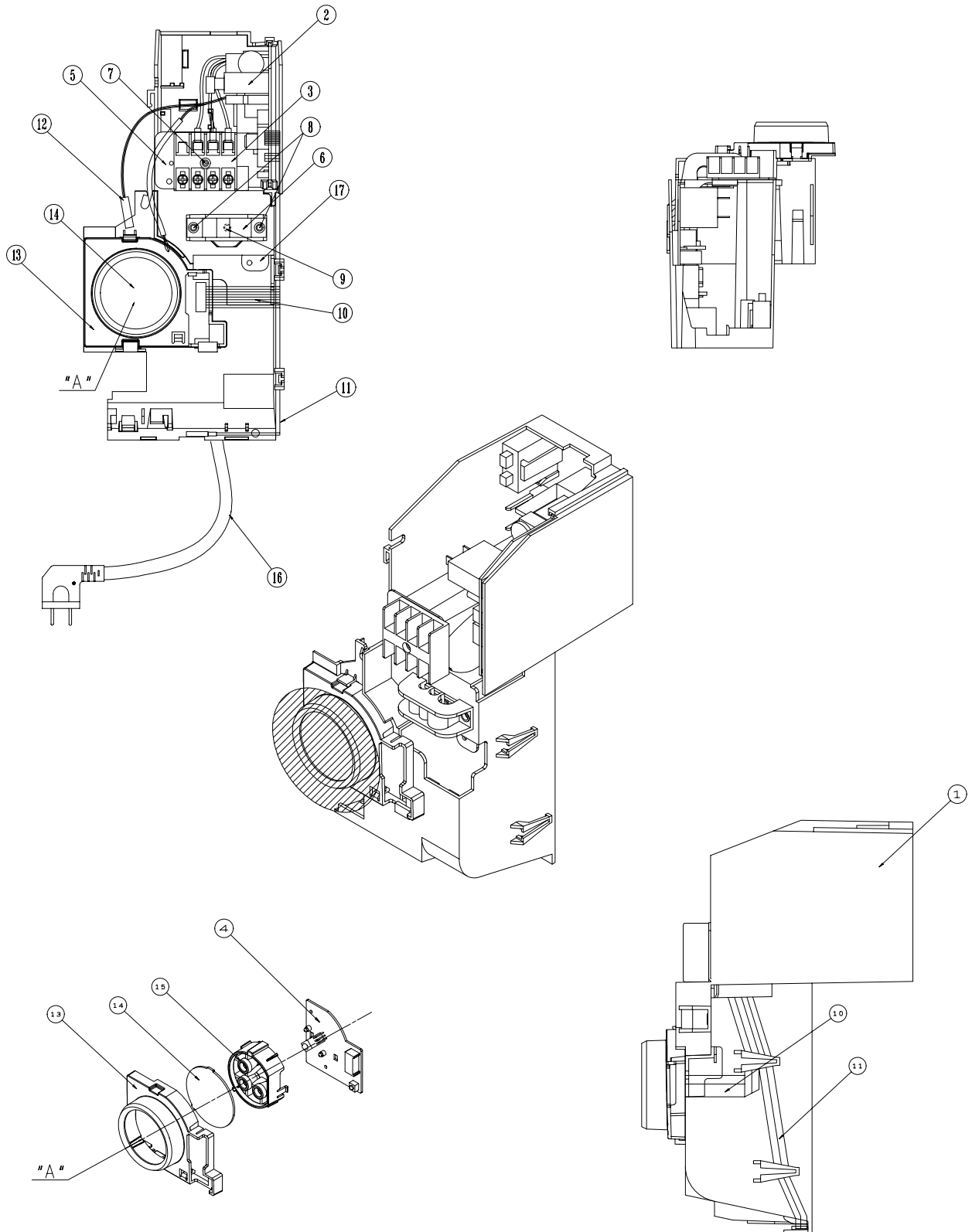
■ A00*S2G*, SH0*ZS2*(NO PLUG) : DB93-02524A
(PLUG) : DB93-02524C



■ Parts List

No.	Code No.	Description	Specification	Q'TY	Remark
1	DB61-01127A	CASE-CONTROL	ABS	1	
2	DB93-02447A	ASS'Y-MAIN PCB	ASS'Y	1	
3	DB93-02508A	ASS'Y-TERMINAL BLOCK	ASS'Y	1	
4	DB93-02525A	ASS'Y SUB PCB	ASS'Y	1	
5	DB70-00289A	PLATE-TERMINAL LOW	SGCC-M T1.2	1	
6	DB61-00171A	HOLDER-WIRE CLAMP	ABS	1	
7	-	SCREW-MACHINE	PH M3xL22	1	SNA
8	-	SCREW-MACHINE	TH M4xL16	2	SNA
9	-	SCREW-MACHINE	PH M4xL10	1	SNA
10	DB39-00949A	ASS'Y C/W SUB	ASS'Y	1	
11	DB39-00643M	ASS'Y C/W STEP MOTOR	ASS'Y	1	
12	DB32-00020A	ASS'Y-THERMISTOR	4P(103AT)	1	
13	DB61-01629A	HOLDER DISPLAY	ABS	1	
14	DB64-00986A	WINDOW DISPLAY	-	1	
15	DB61-01630A	ASS'Y HOLDER PCB	HIPS	1	
16	3903-000095	POWER CORD	PLUG	1	
	DB93-01549B	POWER CORD	NO PLUG	1	
17	6001-001054	SCREW-MACHINE	TH M4xL10	1	

■ AQ(T)12S4G*, SH12ZS4* : DB93-02539A



■ Parts List

No.	Code No.	Description	Specification	Q'TY	Remark
1	DB61-01631A	CASE-CONTROL	ABS	1	
2	DB93-02447A	ASS'Y-MAIN PCB	ASS'Y	1	
3	DB93-02508A	ASS'Y-TERMINAL BLOCK	ASS'Y	1	
4	DB93-02525A	ASS'Y SUB PCB	ASS'Y	1	
5	-	PLATE-TERMINAL LOW	SGCC-M T1.2	1	SNA
6	DB61-00171A	HOLDER-WIRE CLAMP	ABS	1	
7	-	SCREW-MACHINE	PH M3xL22	1	SNA
8	-	SCREW-MACHINE	TH M4xL16	2	SNA
9	-	SCREW-MACHINE	PH M4xL10	1	SNA
10	DB39-00949A	ASS'Y C/W SUB	ASS'Y	1	
11	DB39-00643F	ASS'Y C/W STEP MOTOR	ASS'Y	1	
12	DB32-00020A	ASS'Y-THERMISTOR	4P(103AT)	1	
13	DB61-01629A	HOLDER DISPLAY	ABS	1	
14	DB64-00986A	WINDOW DISPLAY	-	1	
15	DB61-01630A	ASS'Y HOLDER PCB	HIPS	1	
16	3903-000095	POWER CORD	PLUG	1	
	DB93-01549B	POWER CORD	NO PLUG	1	
17	6001-001054	SCREW-MACHINE	TH M4xL10	1	