

18 Electronic Diagram

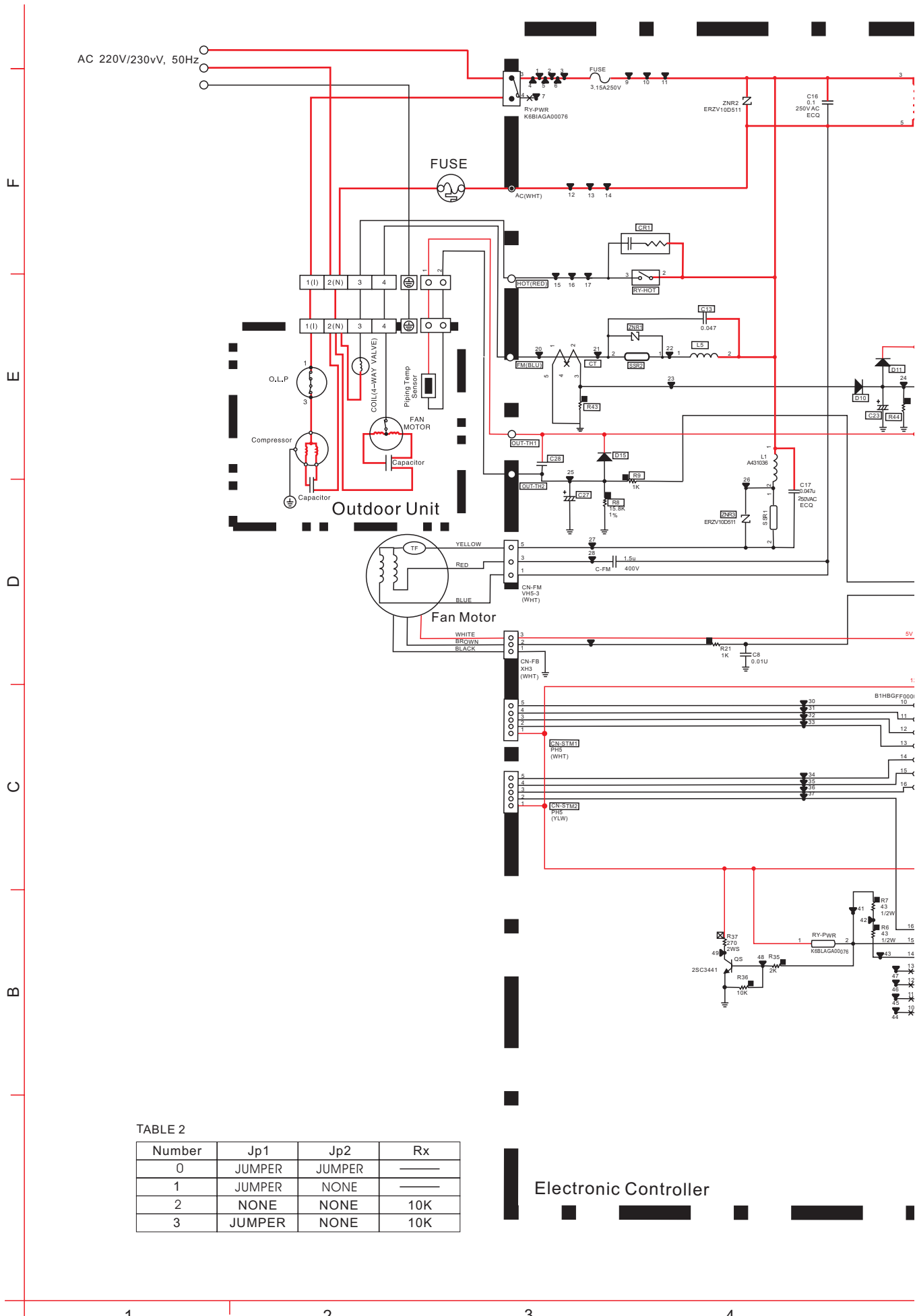
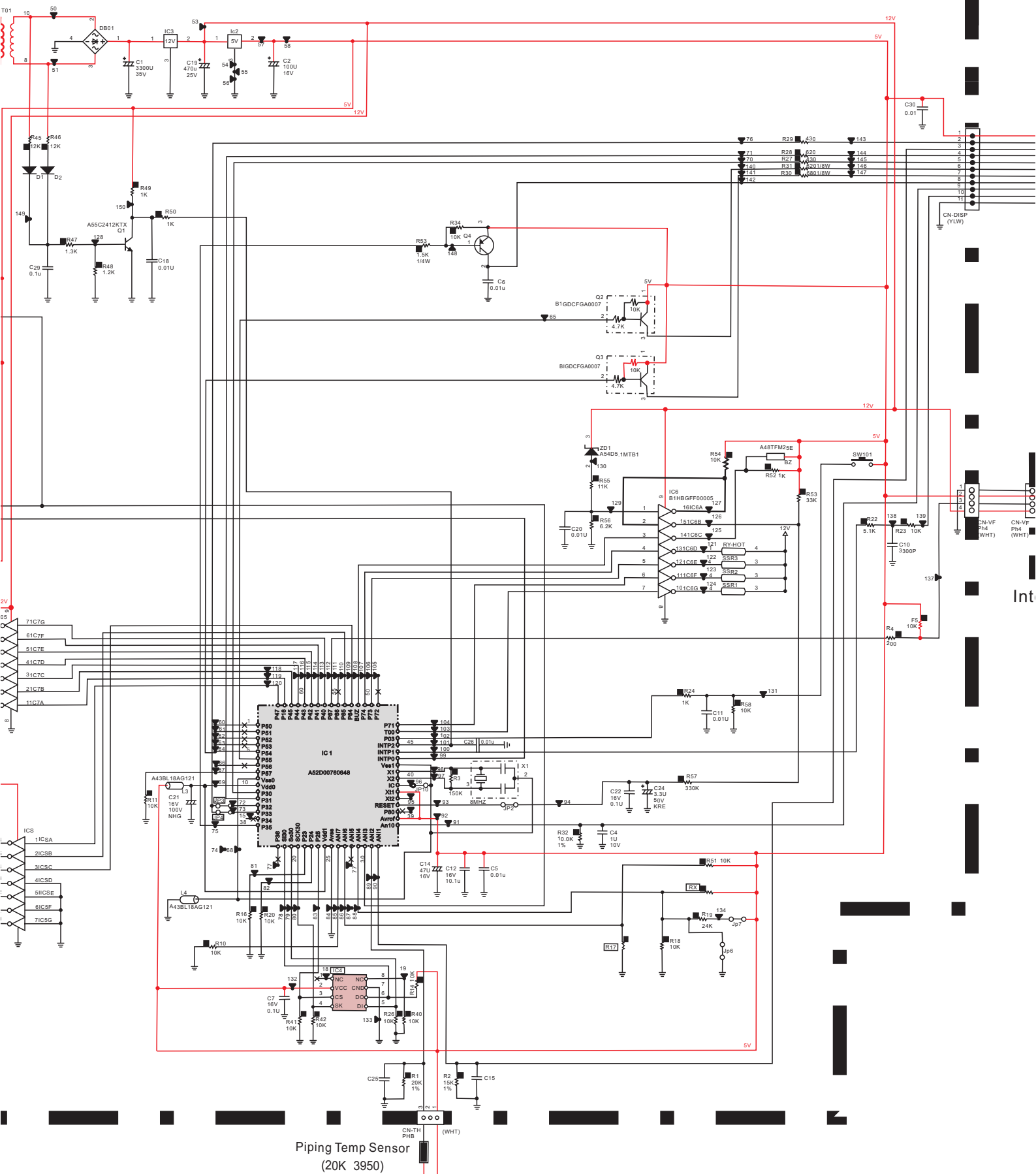
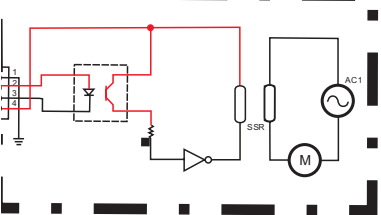
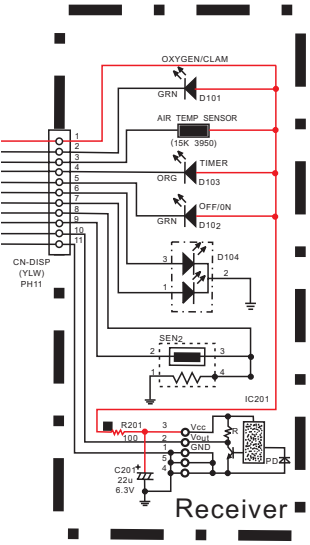


TABLE 2

Number	Jp1	Jp2	Rx
0	JUMPER	JUMPER	—
1	JUMPER	NONE	—
2	NONE	NONE	10K
3	JUMPER	NONE	10K



Piping Temp Sensor
(20K 3950)

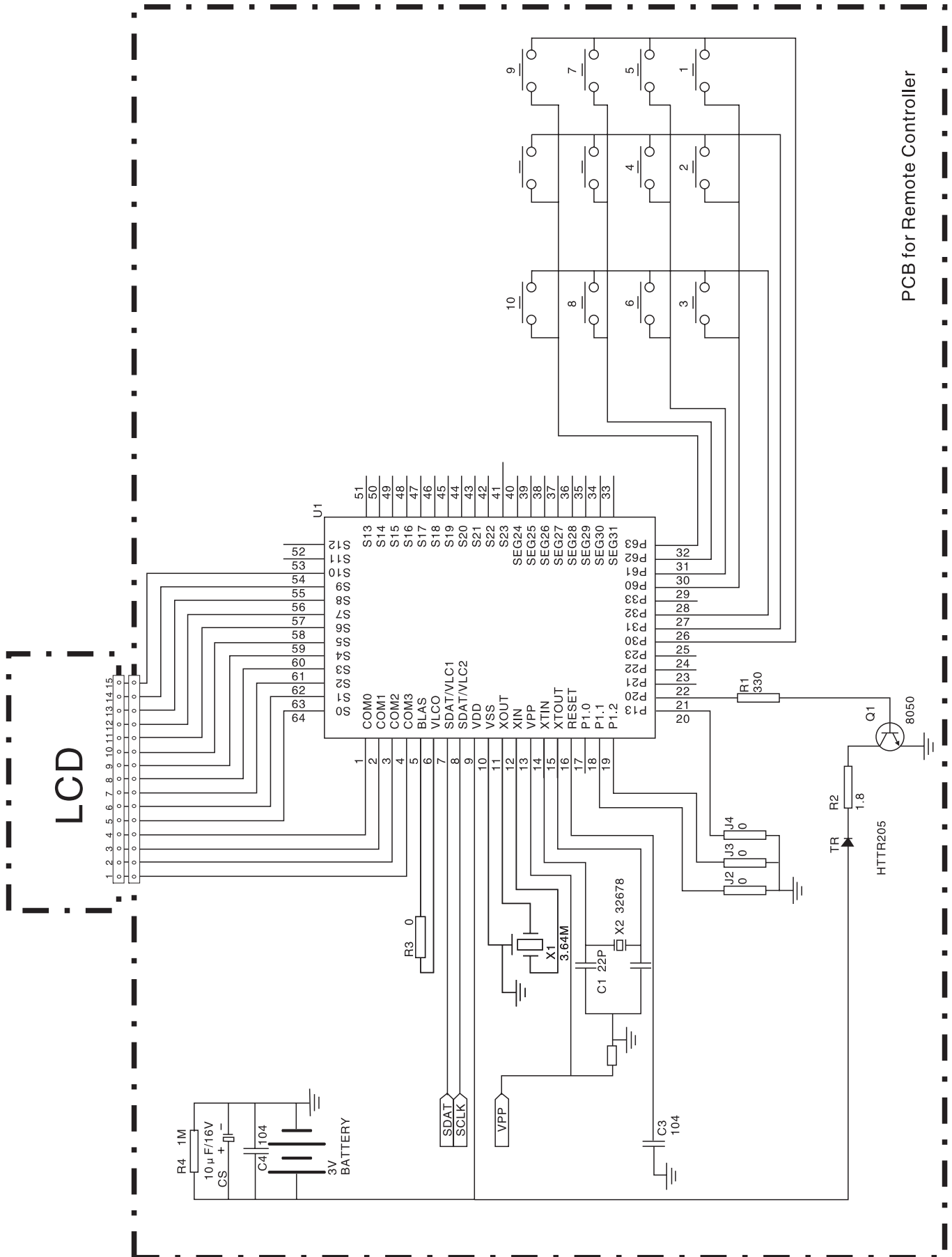


Interlocking Ventilator Unit(Optional)

TABLE 1

REMARK	CS/CU-PC12DKD	CS/CU-PA12DKD
CODE NO.	A743750	A743751
C13	NONE	ECQU2A473A05
C23	NONE	NONE
C27	NONE	ECA1CHG101B
C28	NONE	ECJ1VF1A105Z
CR1	NONE	JOHBJY000004
CN-STM2	NONE	NONE
CT	NONE	NONE
D10	NONE	NONE
D11	NONE	NONE
D15	NONE	BOACCK000005
FM(BLU)	NONE	A67C3830
HOT(RED)	NONE	A67C3843
JP3	NONE	NONE
JP4	NONE	NONE
L5	NONE	A431090
OUT-TH1 OUT-TH2	NONE	A67C5001
R8	NONE	ERJ3EKF1582V
R9	NONE	ERJ3GEYJ102V
R17	NONE	NONE
R43	NONE	NONE
R44	NONE	NONE
RX	NONE	NONE
RY-HOT	NONE	K6B1AGA00073
SSR2	NONE	A56G3MC202PL
SSR3	NONE	NONE
ZNR1	NONE	NONE
ZMR3	NONE	NONE
ZMR4	NONE	NONE
IC4	A53D0878	A53D0877

18.2 Remote Controller(PA12DKD)



18.3 Remote Controller(PC12DKD)

