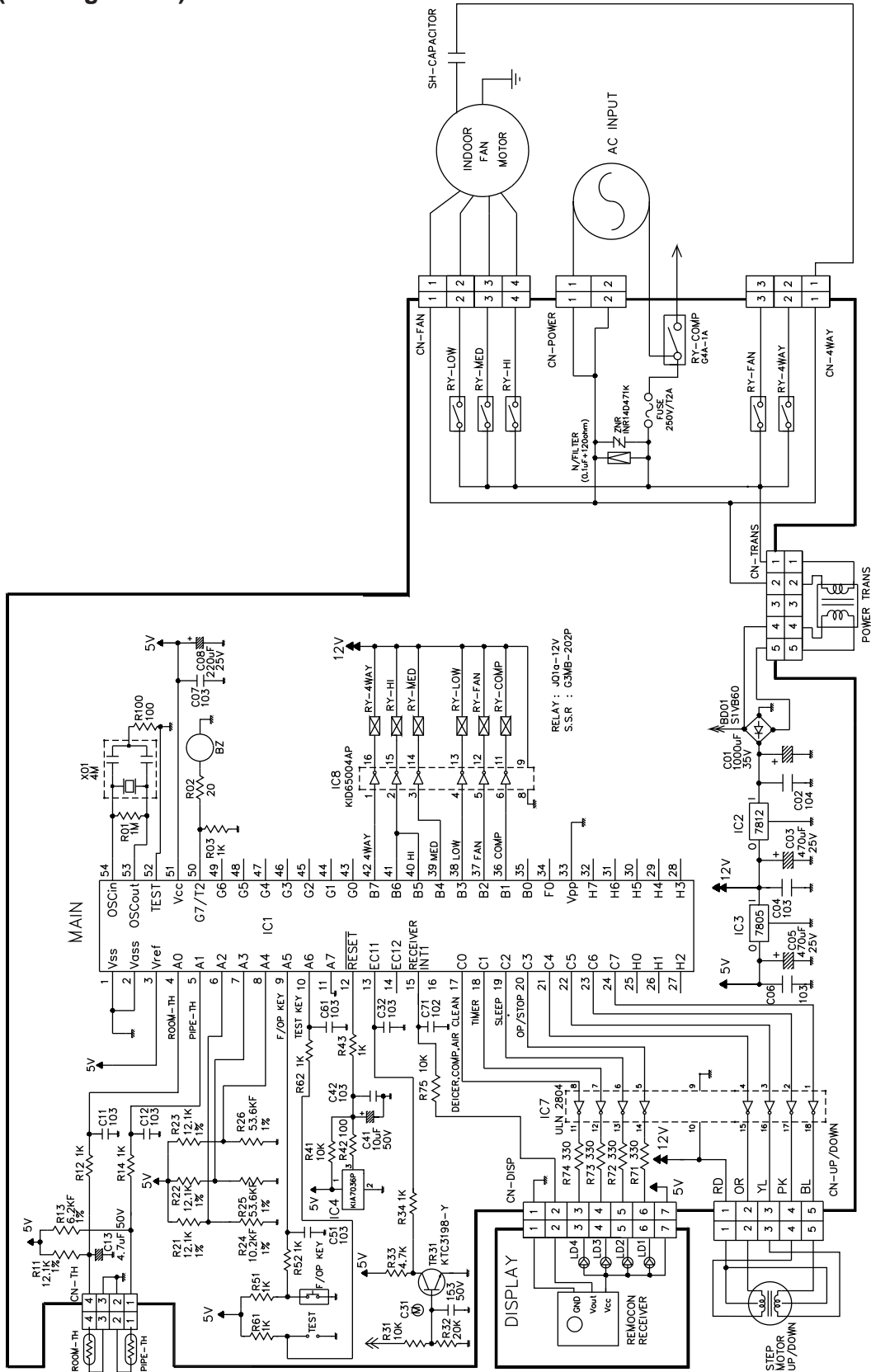
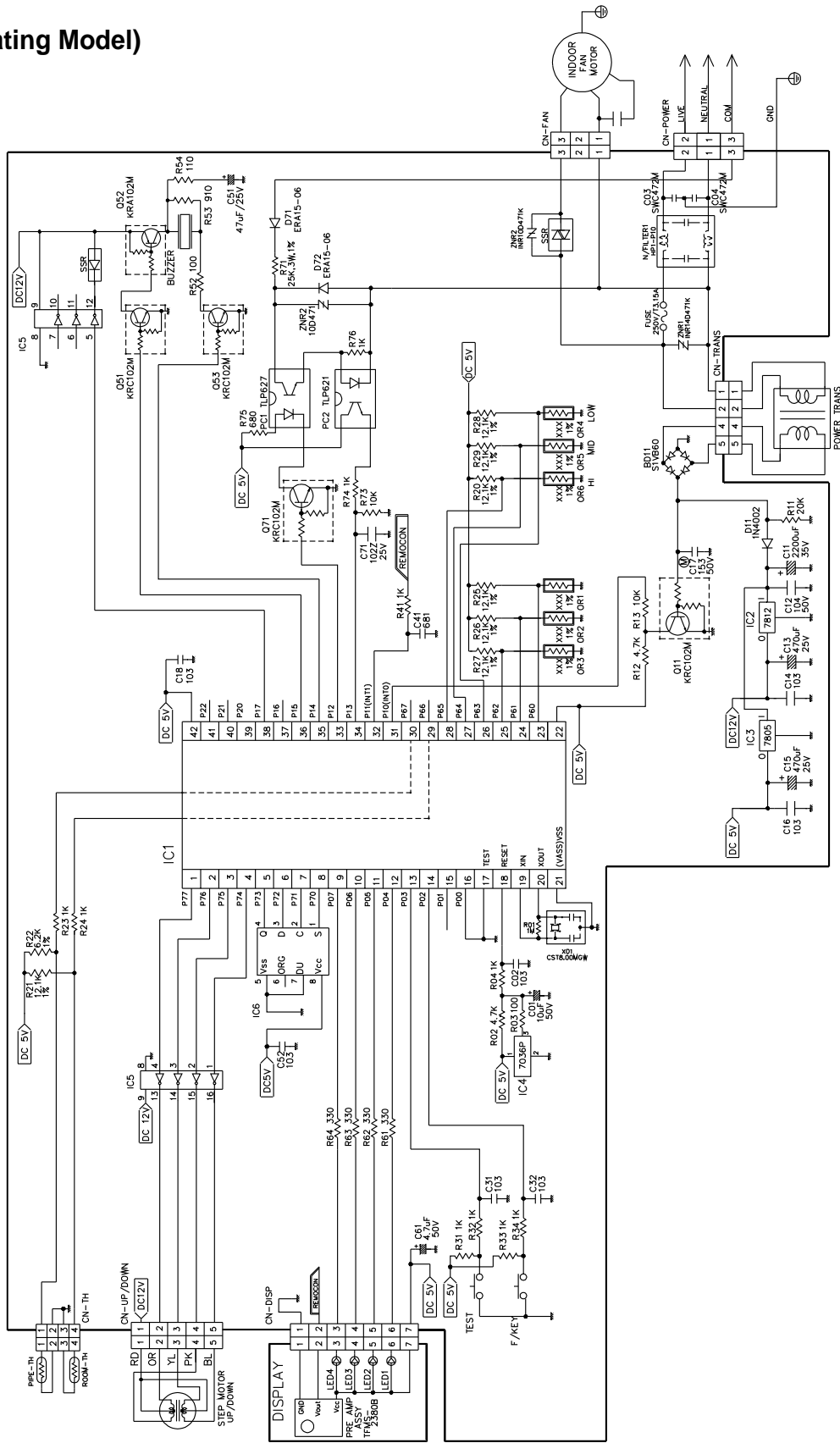


# Schematic Diagram

## 1. Indoor (Cooling Model)



## 2. Indoor (Heating Model)



### 3. Outdoor (Heating Model)

